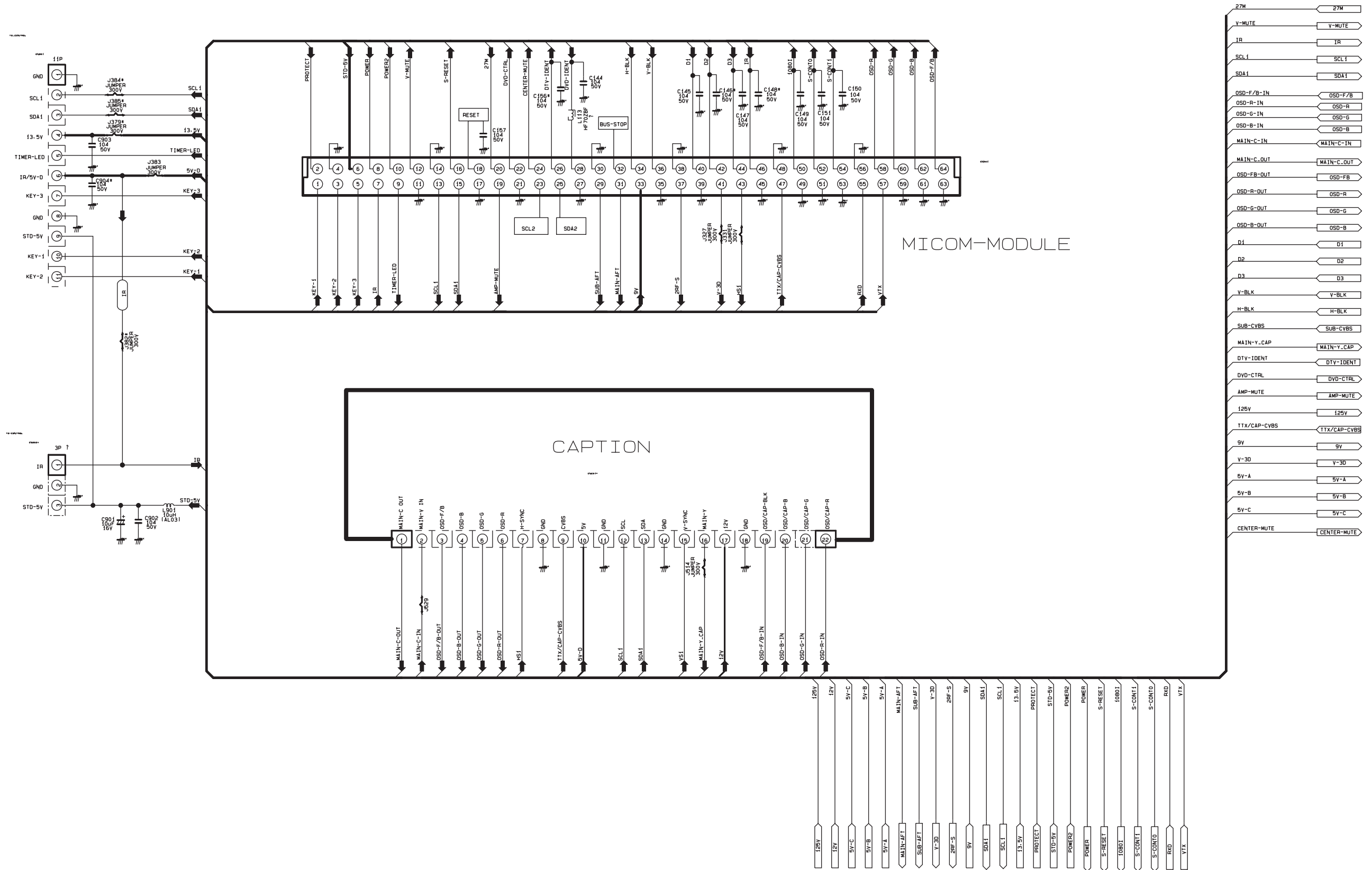
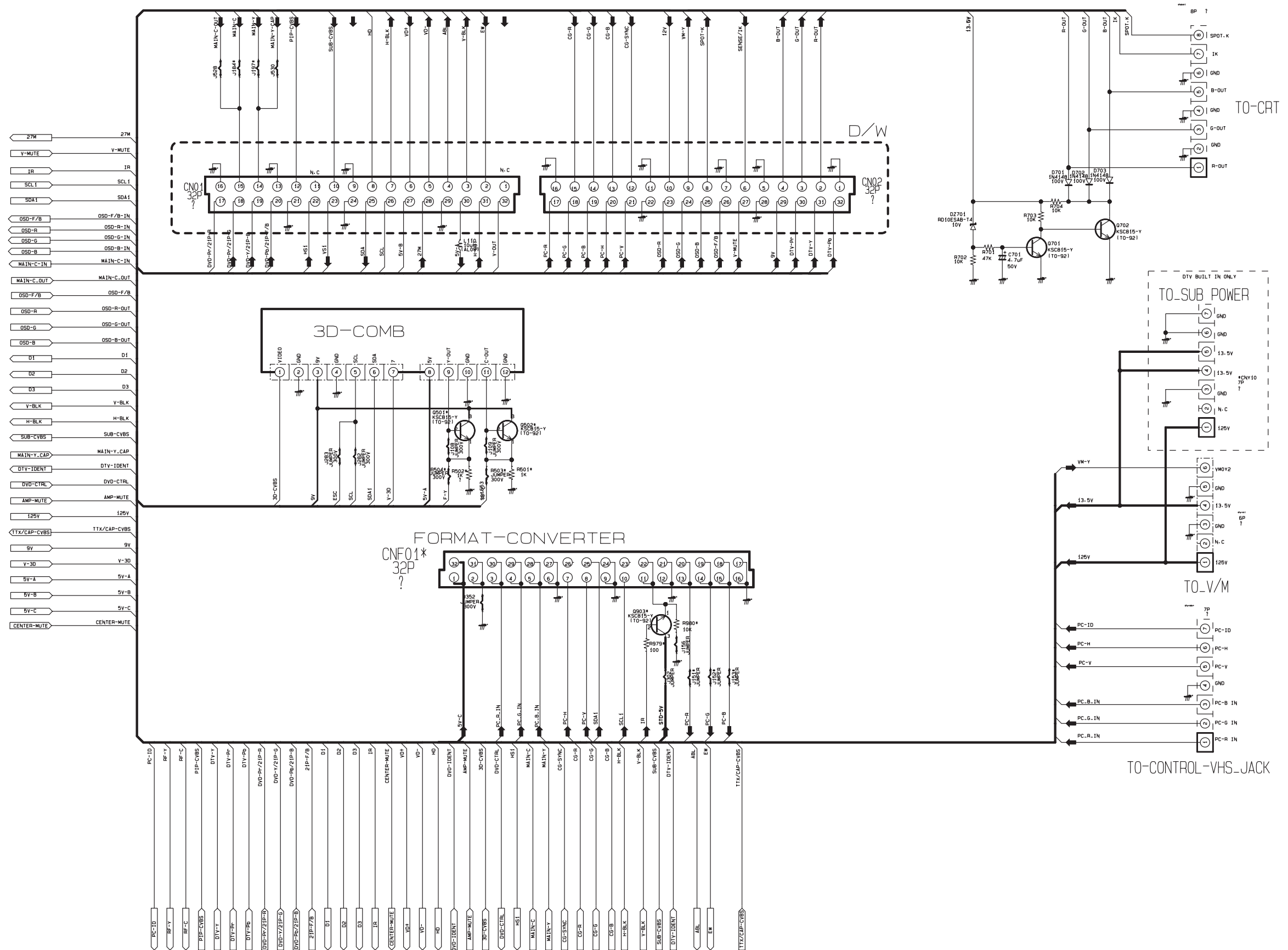


10. Schematic Diagrams

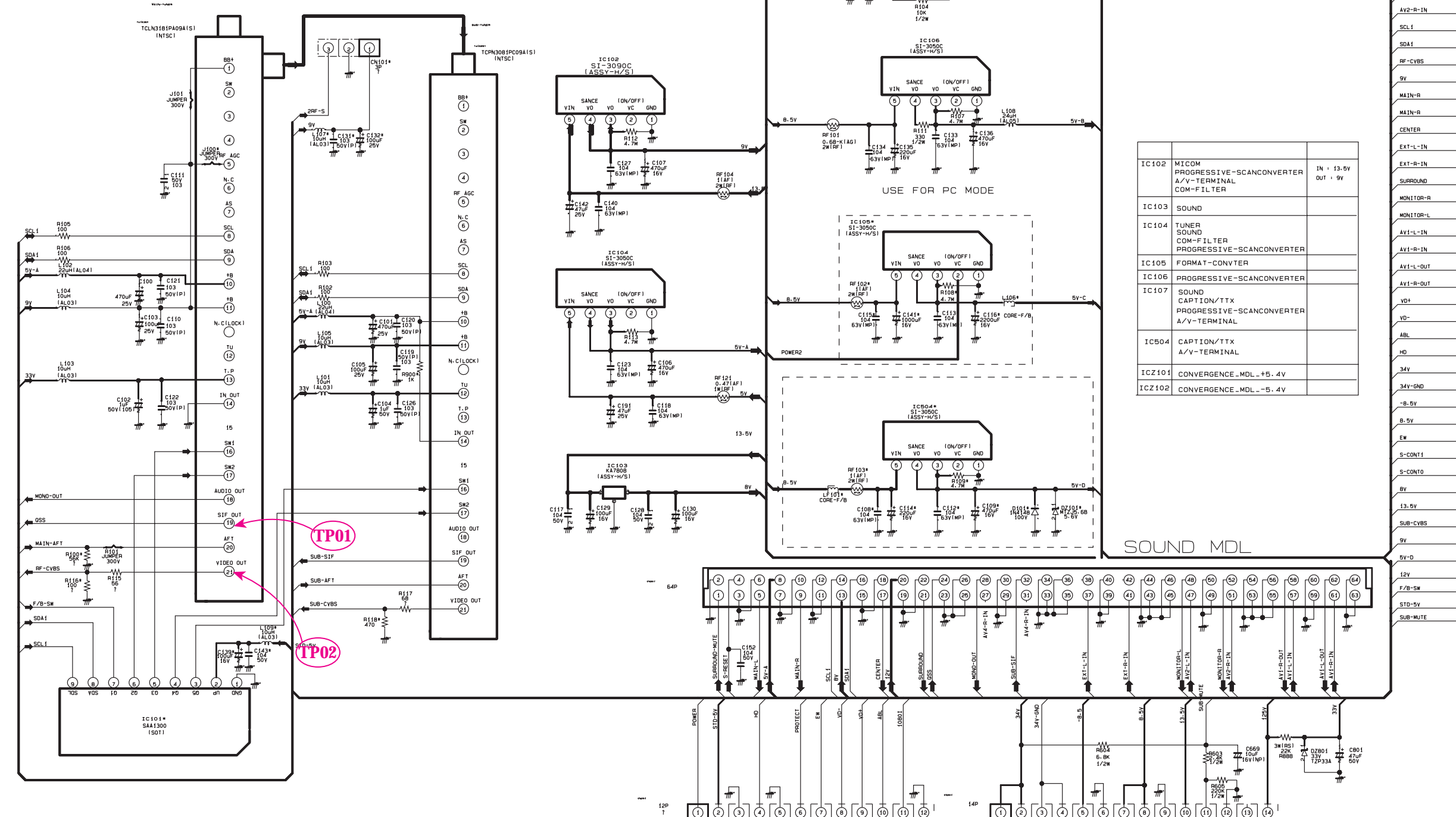
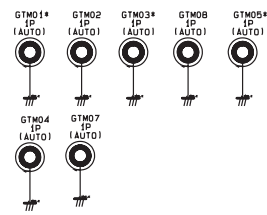
10-1 MAIN 1



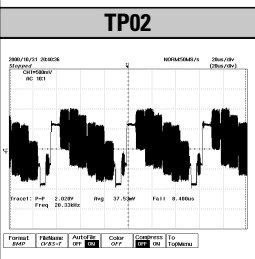
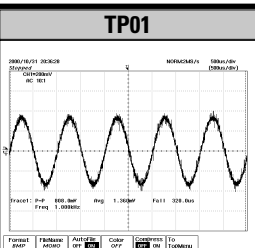
10-2 MAIN 2



10-3 MAIN 3

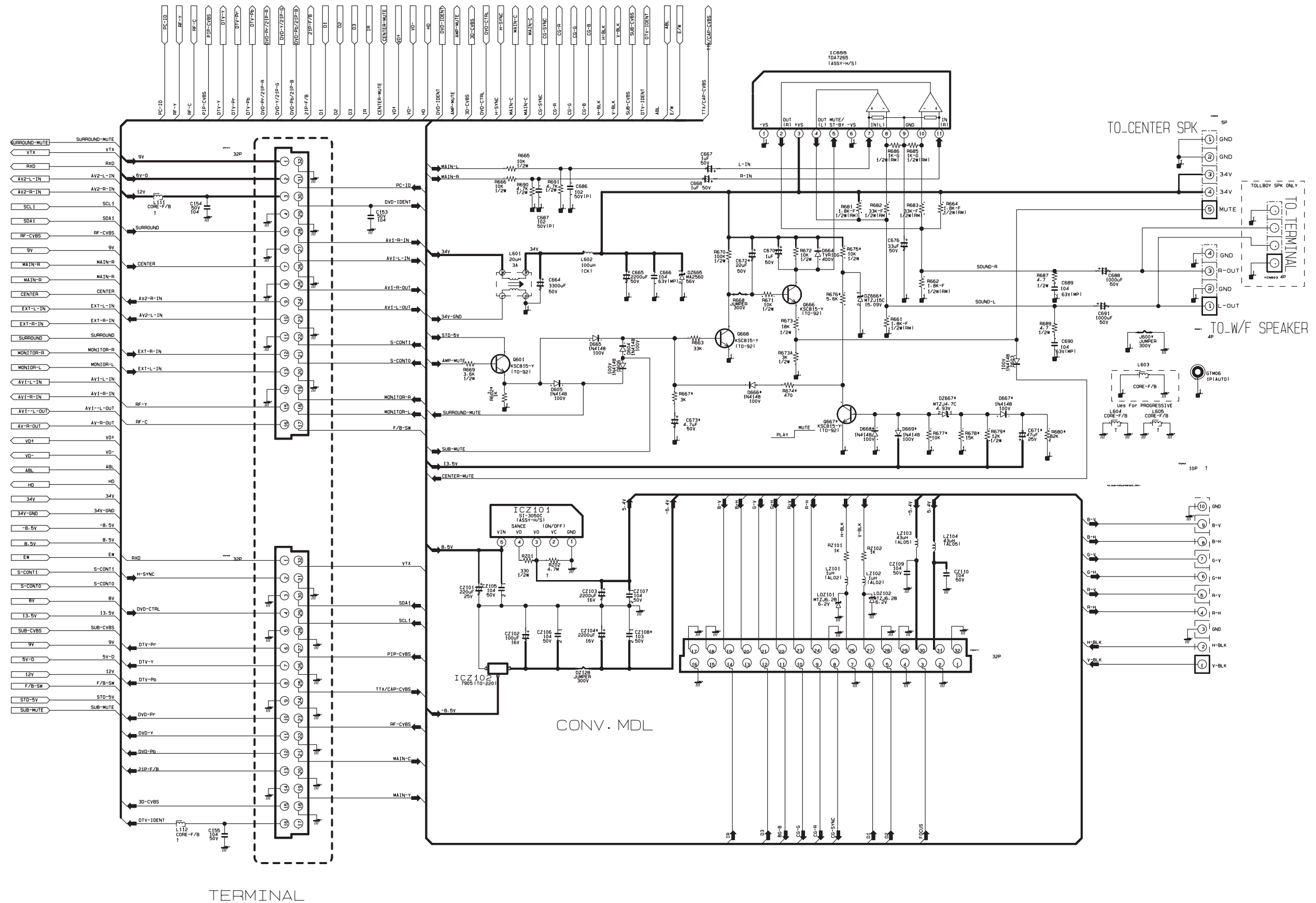


IC102	MICOM PROGRESSIVE-SCANCONVERTER A/V-TERMINAL COM-FILTER	IN : 13.5V OUT : 9V
IC103	SOUND	
IC104	TUNER SOUND COM-FILTER PROGRESSIVE-SCANCONVERTER	
IC105	FORMAT-CONVTR	
IC106	PROGRESSIVE-SCANCONVERTER	
IC107	SOUND CAPTION/TTX PROGRESSIVE-SCANCONVERTER A/V-TERMINAL	
IC504	CAPTION/TTX A/V-TERMINAL	
ICZ101	CONVERGENCE_MDL +5.4V	
ICZ102	CONVERGENCE_MDL -5.4V	

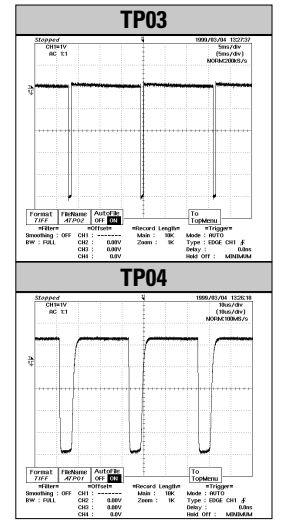
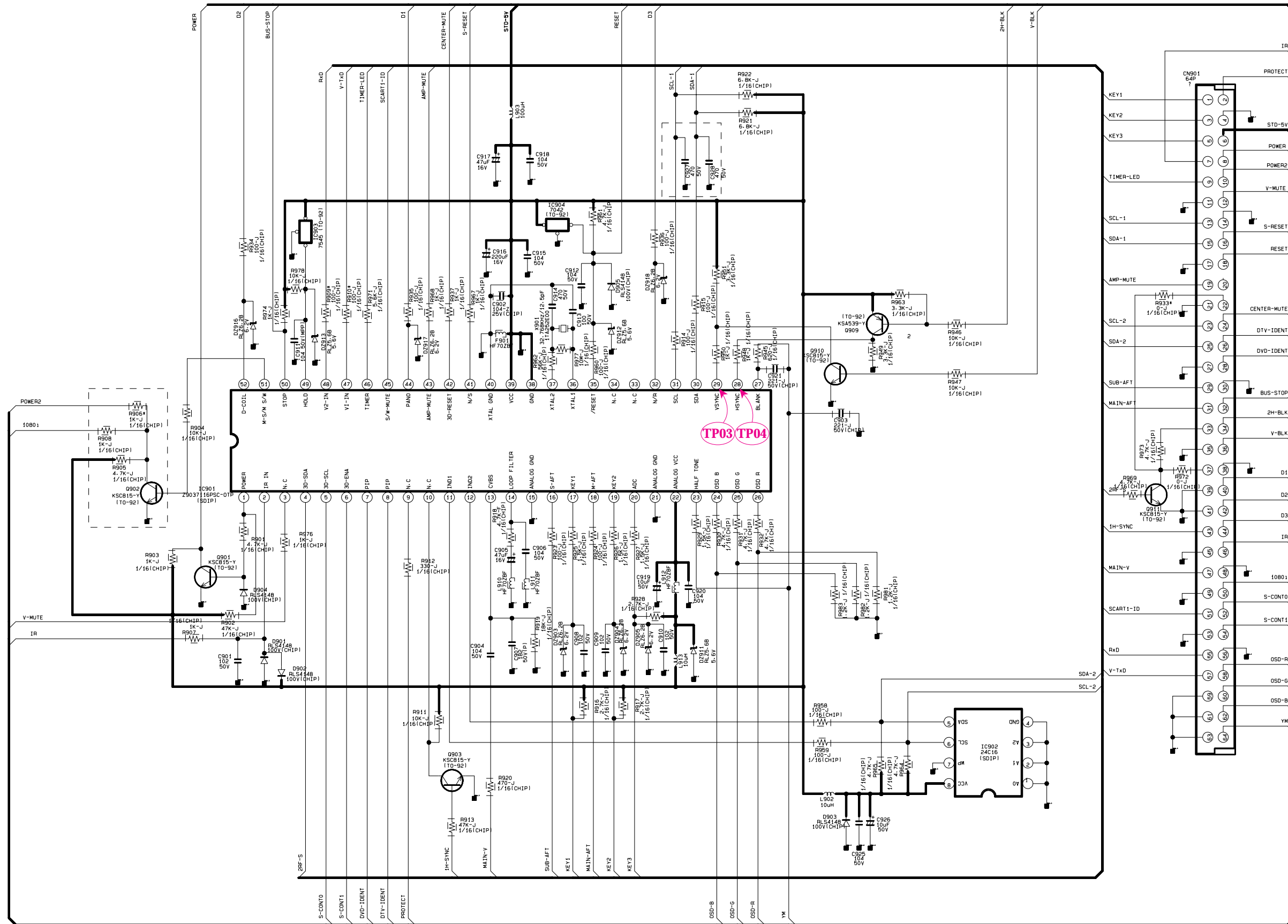


- SURROUND-MUTE
- VTX
- RXD
- AV2-L-IN
- AV2-R-IN
- SCL1
- SDA1
- RF-CVBS
- 9V
- MAIN-R
- MAIN-L
- CENTER
- EXT-L-IN
- EXT-R-IN
- SURROUND
- MONITOR-R
- MONITOR-L
- AV1-L-IN
- AV1-R-IN
- AV1-L-OUT
- AV1-R-OUT
- VD+
- ABL
- HD
- 34V
- 34V-GND
- 8.5V
- 8.5V
- EW
- S-CONT1
- S-CONT0
- BY
- 13.5V
- SUB-CVBS
- 9V
- BY-D
- 12V
- F/B-SW
- STD-SW
- SUB-MUTE

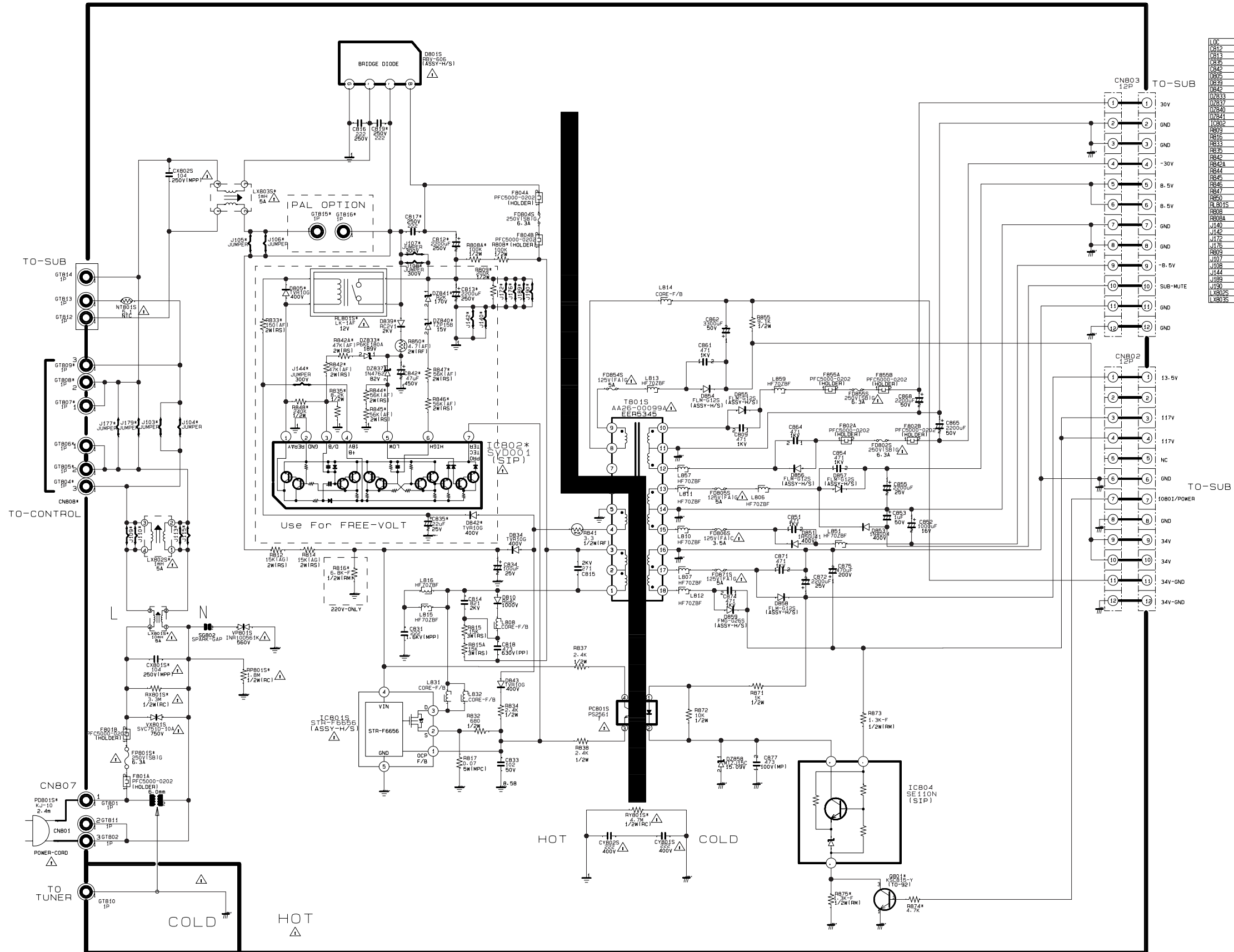
10-4 MAIN 4



10-5 MICOM

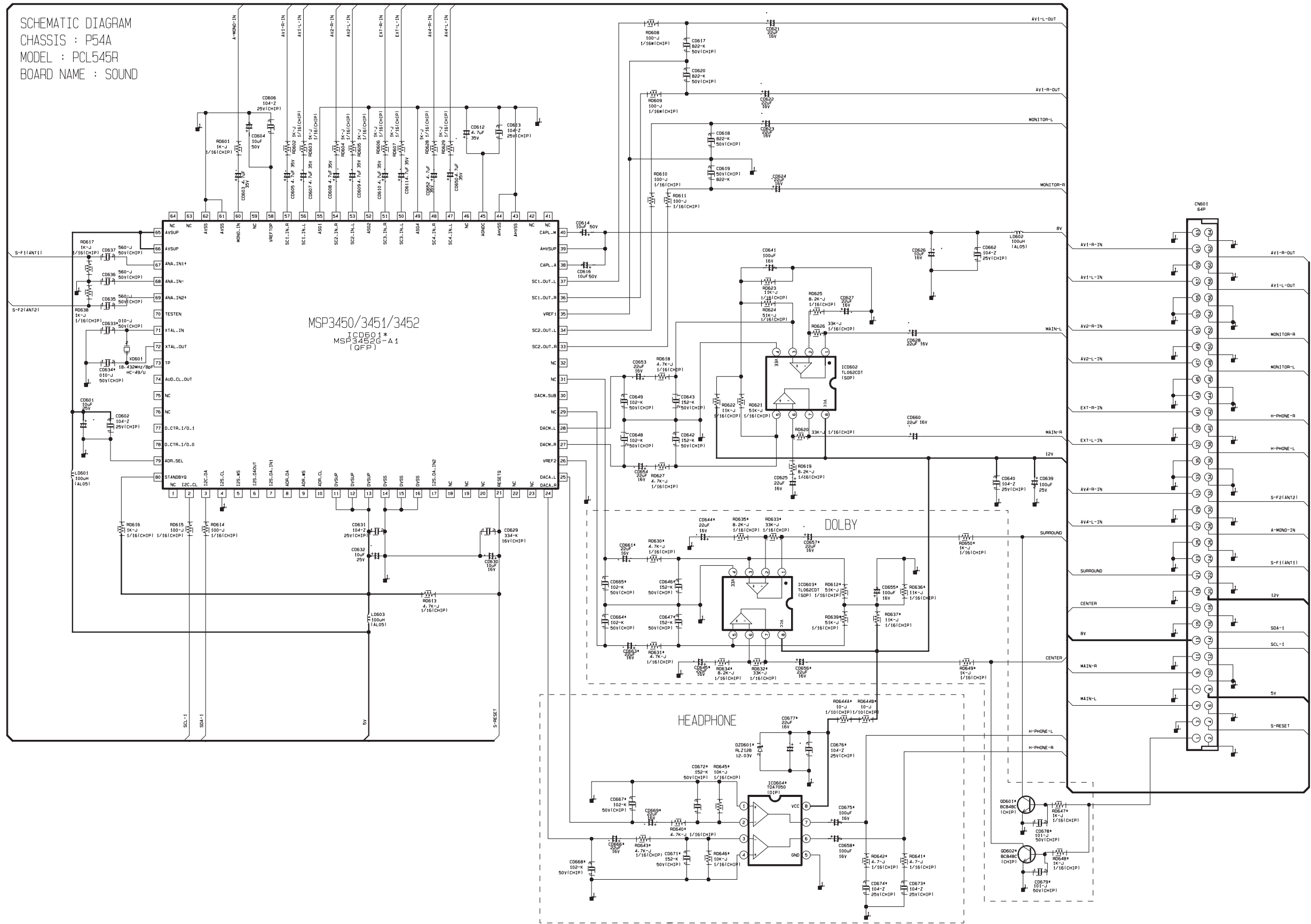


10-6 POWER

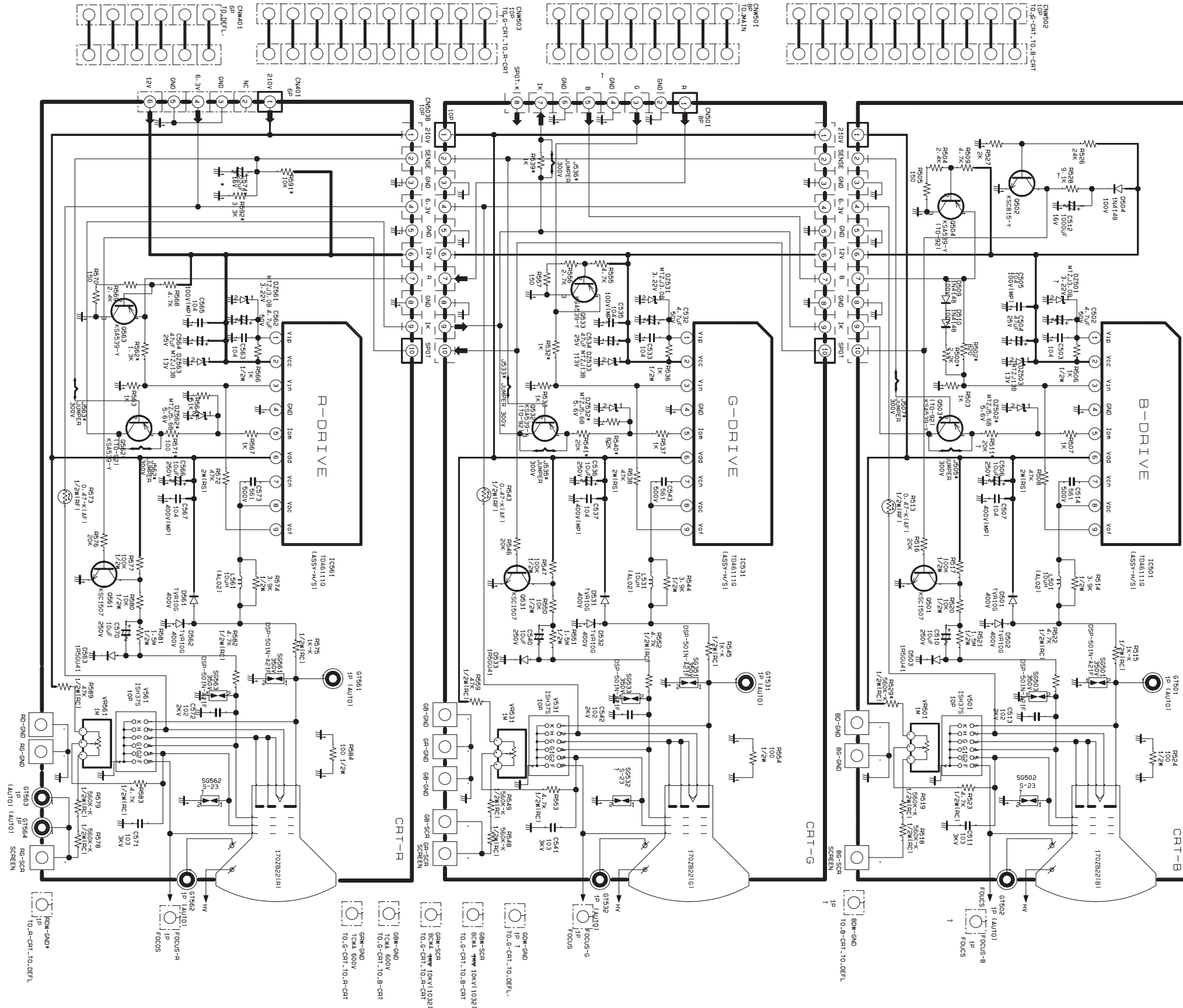


LOC	FREE	220V	120V
C812	2401-000701 2200UF 250V	2401-003465 680UF 450V	2401-000701 2200UF 250V
C813	2401-000701 2200UF 250V	DELETE	2401-000701 2200UF 250V
C814	2401-000701 220UF 25V	DELETE	DELETE
C815	2401-000701 47UF 450V	DELETE	DELETE
D805	0402-000546 1V100G	DELETE	DELETE
D809	0402-000243 PC2-V1	DELETE	DELETE
D842	0402-000546 1V100G	DELETE	DELETE
D833	0402-001007 PAK180A	DELETE	DELETE
D837	0402-000170 IN4762	DELETE	DELETE
D840	0402-001029 MMS290	DELETE	DELETE
D841	0402-000891 RSK 170V	DELETE	DELETE
I802	AA13-00033A IC-HYBRID SV0001	DELETE	DELETE
R809	2001-000002 200K 1/2W(CARBON)	DELETE	DELETE
R815	2004-00029 10K 1/2W(F-METAL)	2004-00029 10K 1/2W(F-METAL)	DELETE
R833	2003-001024 150 2W(METAL)	DELETE	DELETE
R835	2001-001188 6.2K 1/2W(CARBON)	DELETE	DELETE
R842	2002-001040 47K 2W(METAL)	DELETE	DELETE
R843	2003-001049 47K 2W(METAL)	DELETE	DELETE
R844	2003-000200 56K 2W(METAL)	DELETE	DELETE
R845	2003-000200 56K 2W(METAL)	DELETE	DELETE
R846	2003-000200 56K 2W(METAL)	DELETE	DELETE
R847	2003-000200 56K 2W(METAL)	DELETE	DELETE
R860	2008-001079 4.7 2W HF(FUSIBLE)	DELETE	DELETE
R8015	3501-001040 RELAY-POWER 120V	DELETE	DELETE
R839	2001-000085 100K 1/2W(CARBON)	2001-000002 200K 1/2W(CARBON)	2001-000085 100K 1/2W(CARBON)
R808A	2001-000085 100K 1/2W(CARBON)	2001-000002 200K 1/2W(CARBON)	2001-000085 100K 1/2W(CARBON)
J140	3812-000219 JUMPER	DELETE	3812-000219 JUMPER
J142	3812-000219 JUMPER	DELETE	3812-000219 JUMPER
J172	DELETE	3812-000219 JUMPER	DELETE
J176	DELETE	3812-000219 JUMPER	DELETE
R809	2001-000002 200K 1/2W(CARBON)	DELETE	2001-000002 200K 1/2W(CARBON)
J107	DELETE	DELETE	3812-000219 JUMPER
J108	DELETE	DELETE	3812-000219 JUMPER
J144	3812-000219 JUMPER	DELETE	DELETE
J189	DELETE	3812-000219 JUMPER	DELETE
J190	DELETE	3812-000219 JUMPER	DELETE
LX802S	AA23-30002M 1MH 5A	AA23-30002F 6MH 2.5A	AA23-30002M 1MH 5A
LX803S	AA23-30002M 1MH 5A	AA23-00008A 6MH 3A	AA23-30002M 1MH 5A

10-7 SOUND

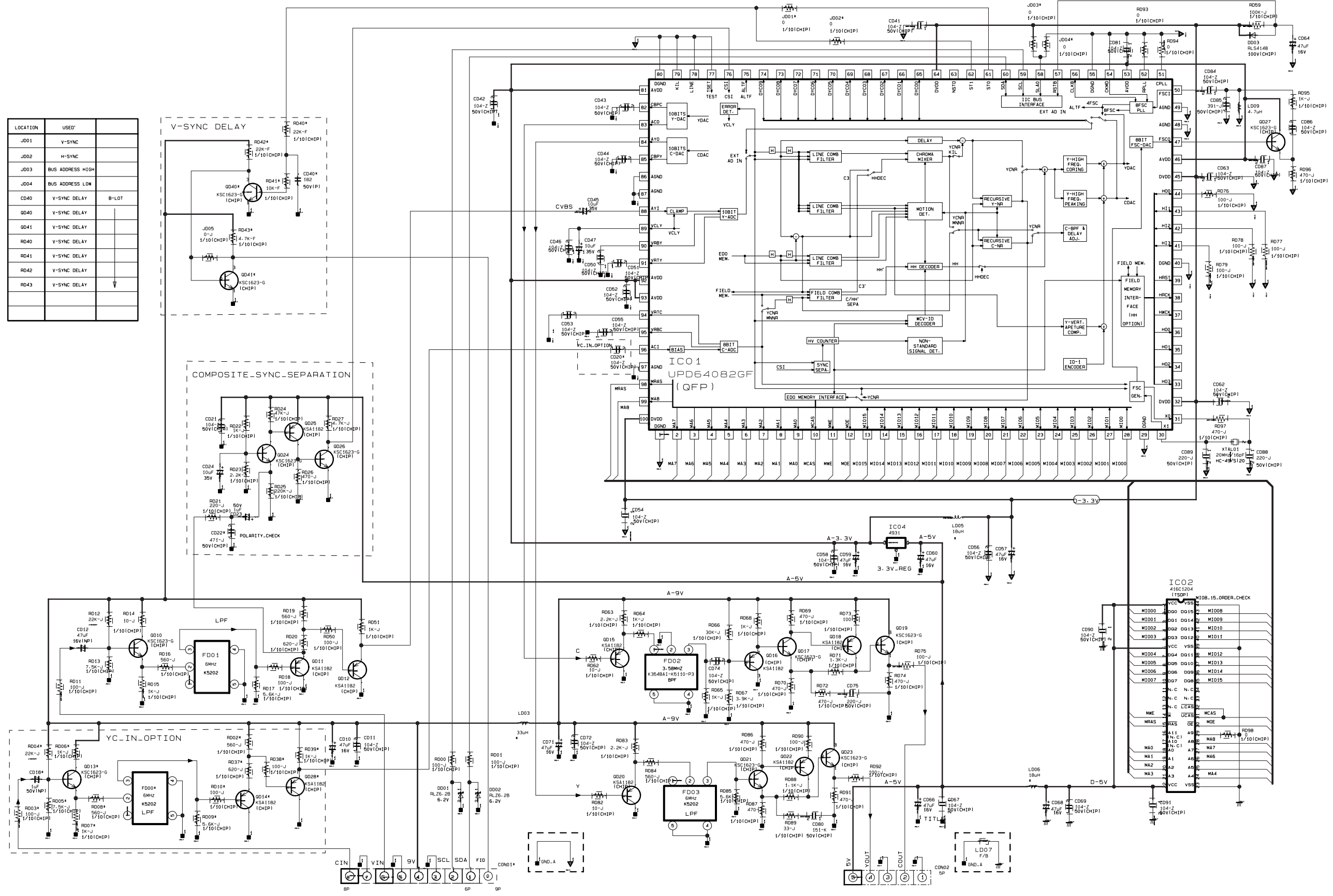


10-8 CRT



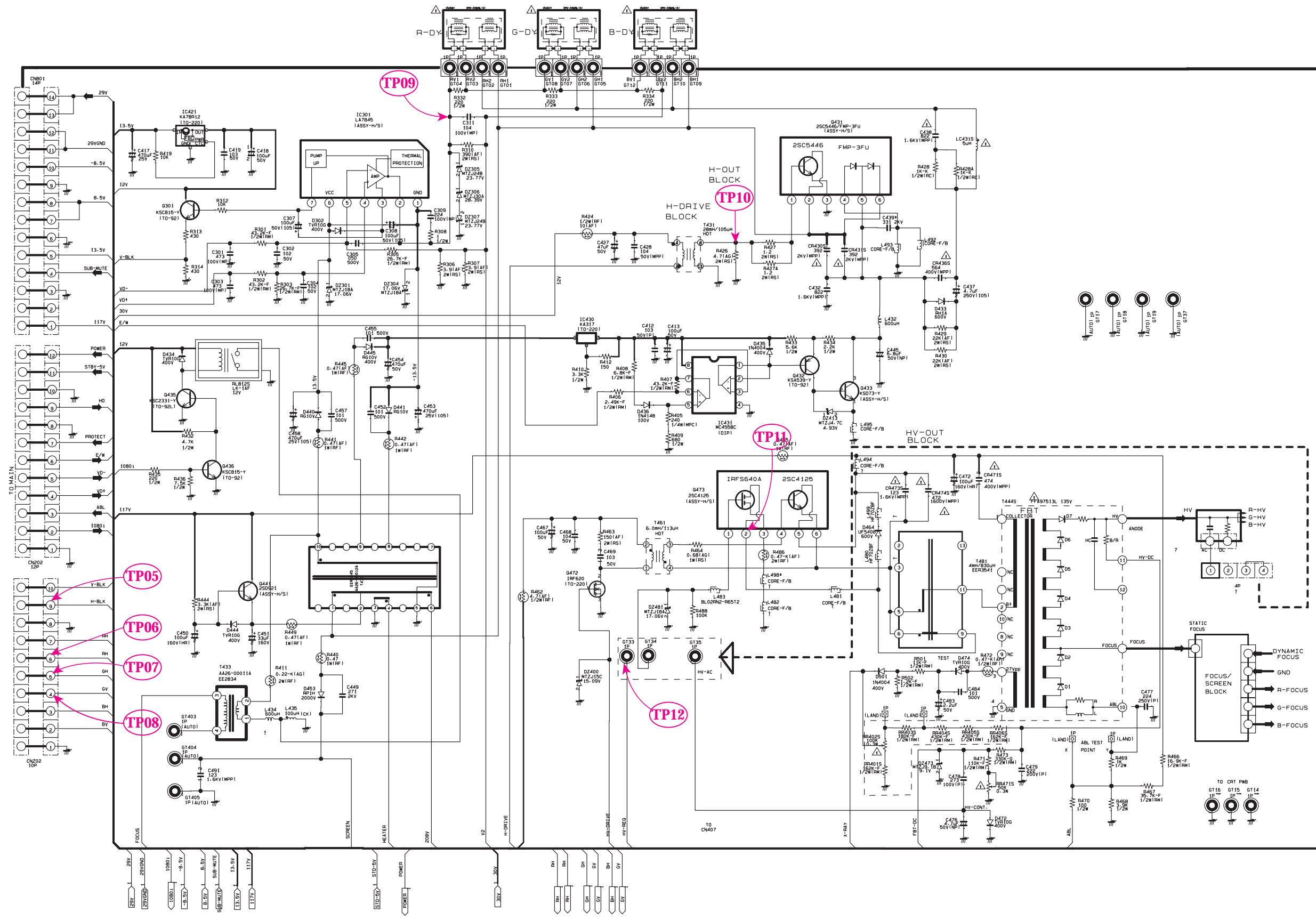
LOC	J51A	J51B
C574	DELETE	22UF .16V
J535	JUMPER	DELETE
J536	JUMPER	DELETE
J562	JUMPER	DELETE
Q503	DELETE	KSA539
Q532	DELETE	KSA539
Q562	DELETE	KSA539
R539	DELETE	1K. 1/BW
DZ502	MTZ5.6B	DELETE
R511	20K. 1/BW	JUMPER
J505	JUMPER	DELETE
J507	DELETE	JUMPER
R540	82K. 1/BW	DELETE
DZ532	MTZ5.6B	DELETE
J533	DELETE	JUMPER
R571	100. 1/BW	JUMPER
R564	51K. 1/BW	DELETE
DZ562	MTZ5.6B	DELETE
J563	DELETE	JUMPER
R591	DELETE	10K. 1/BW
R592	DELETE	3.3K. 1/BW
R502	910. 1/BW	1K. 1/BW
R532	820. 1/BW	1K. 1/BW
R500	2.2K. 1/BW	1.2K. 1/BW
R529	560K. 1/2W	47K. 1/2W

10-9 3D COMB

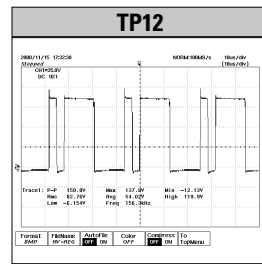
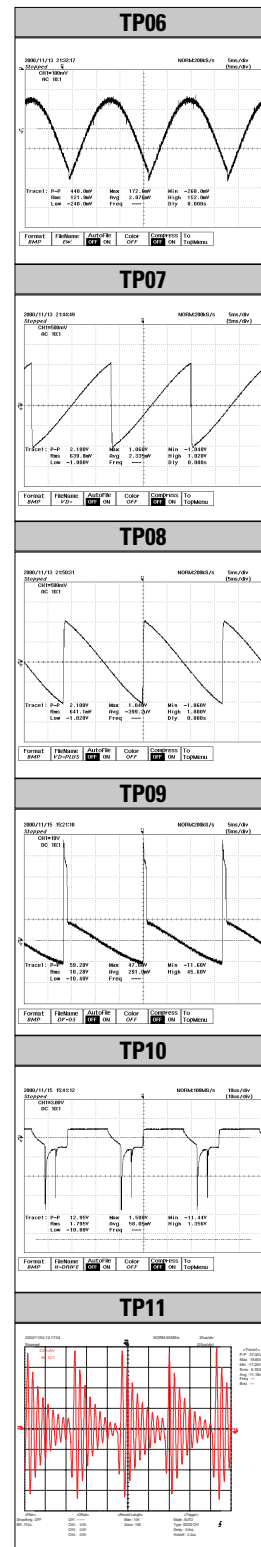


LOCATION	USED	
J001	V-SYNC	
J002	H-SYNC	
J003	BUS ADDRESS HIGH	
J004	BUS ADDRESS LOW	
CD40	V-SYNC DELAY	B-LOT
GD40	V-SYNC DELAY	
GD41	V-SYNC DELAY	
RD40	V-SYNC DELAY	
RD41	V-SYNC DELAY	
RD42	V-SYNC DELAY	
RD43	V-SYNC DELAY	

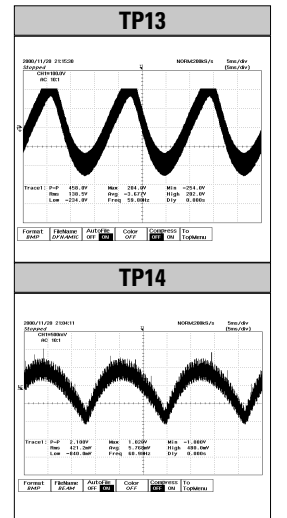
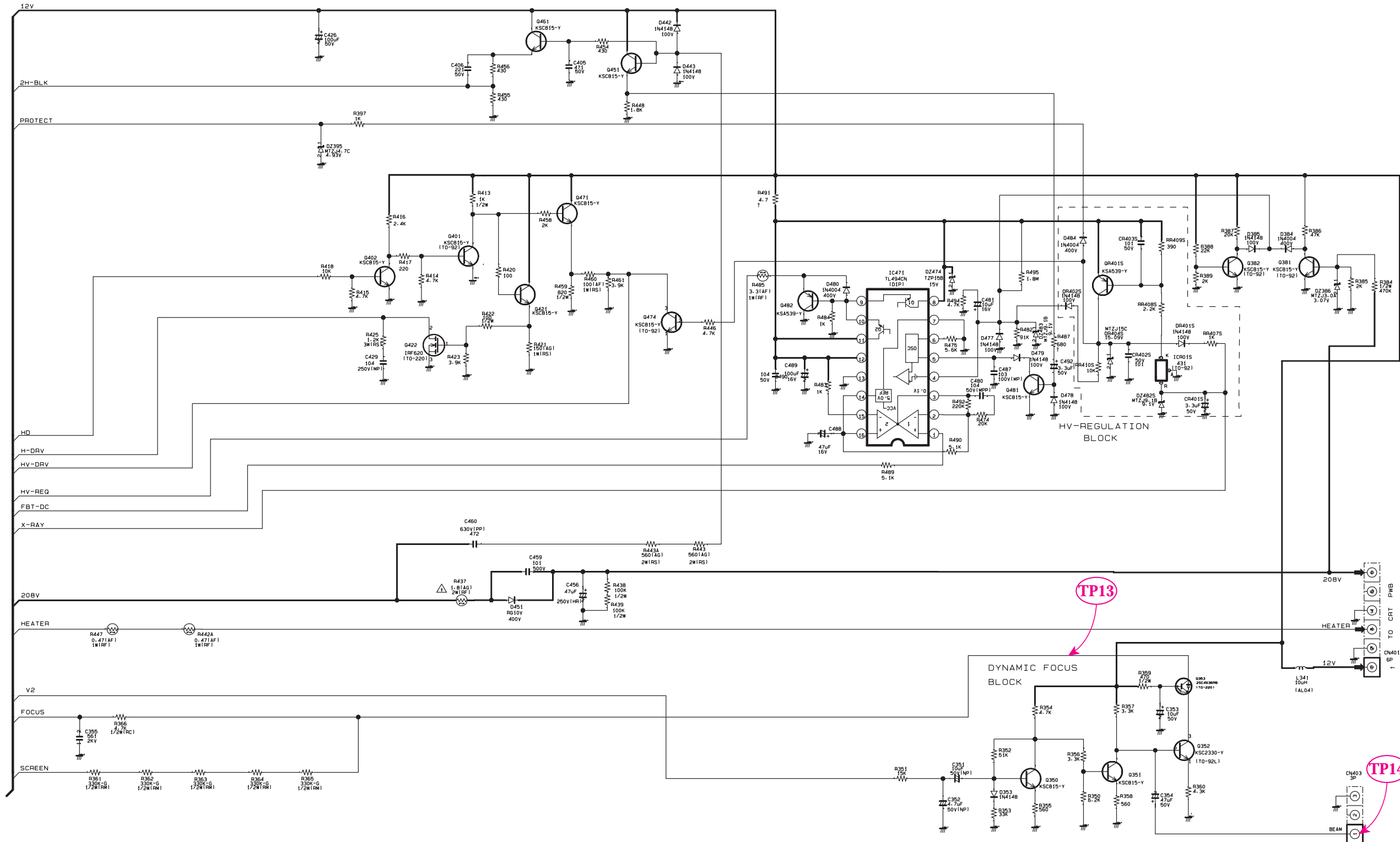
10-10 SUB 1



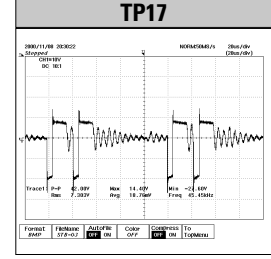
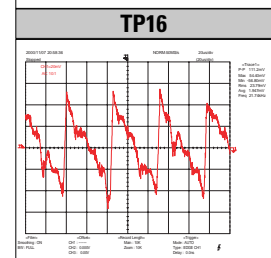
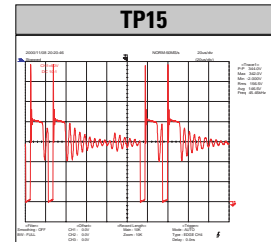
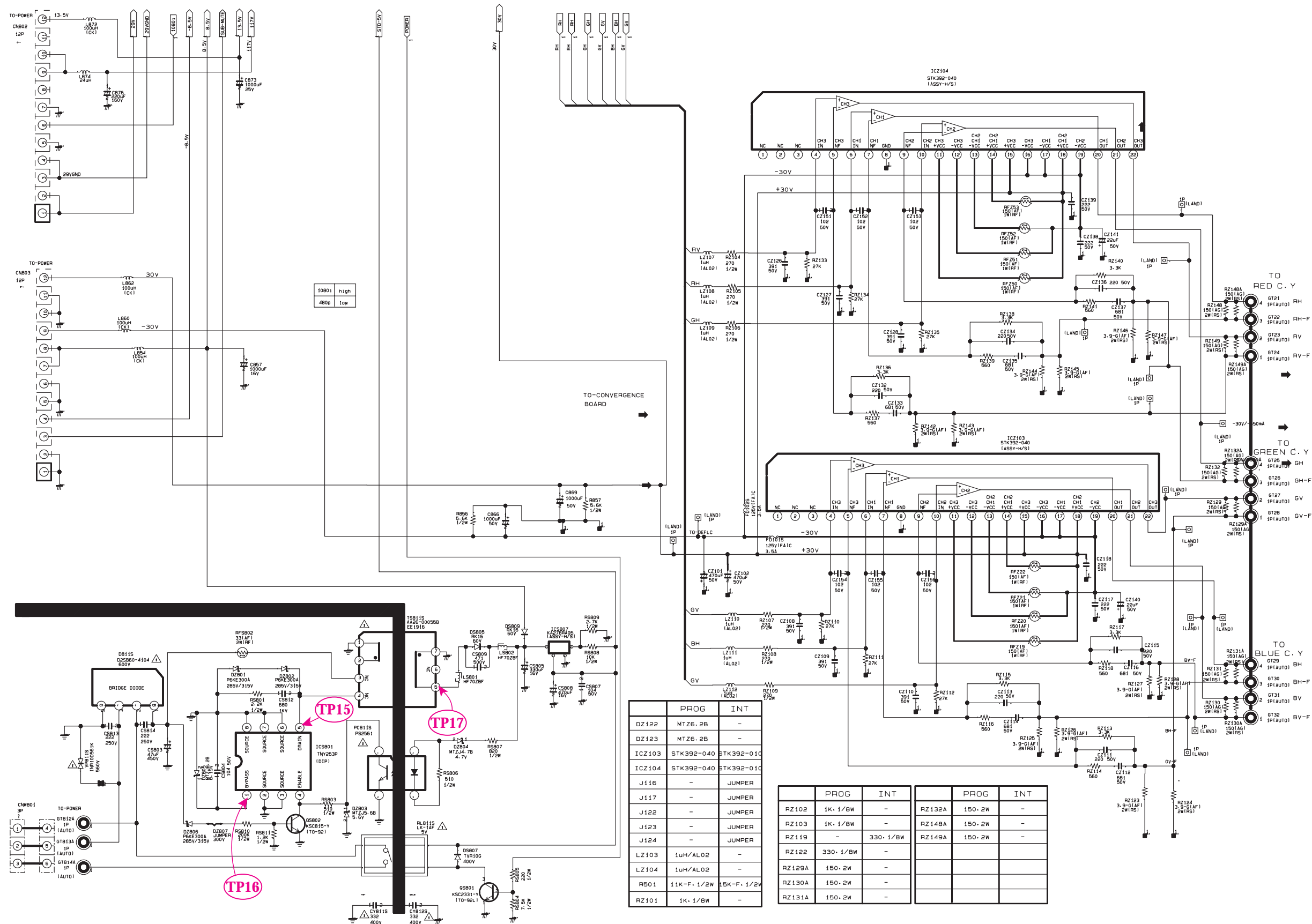
10-10-1 SUB 1 WAVEFORMS



10-11 SUB 2



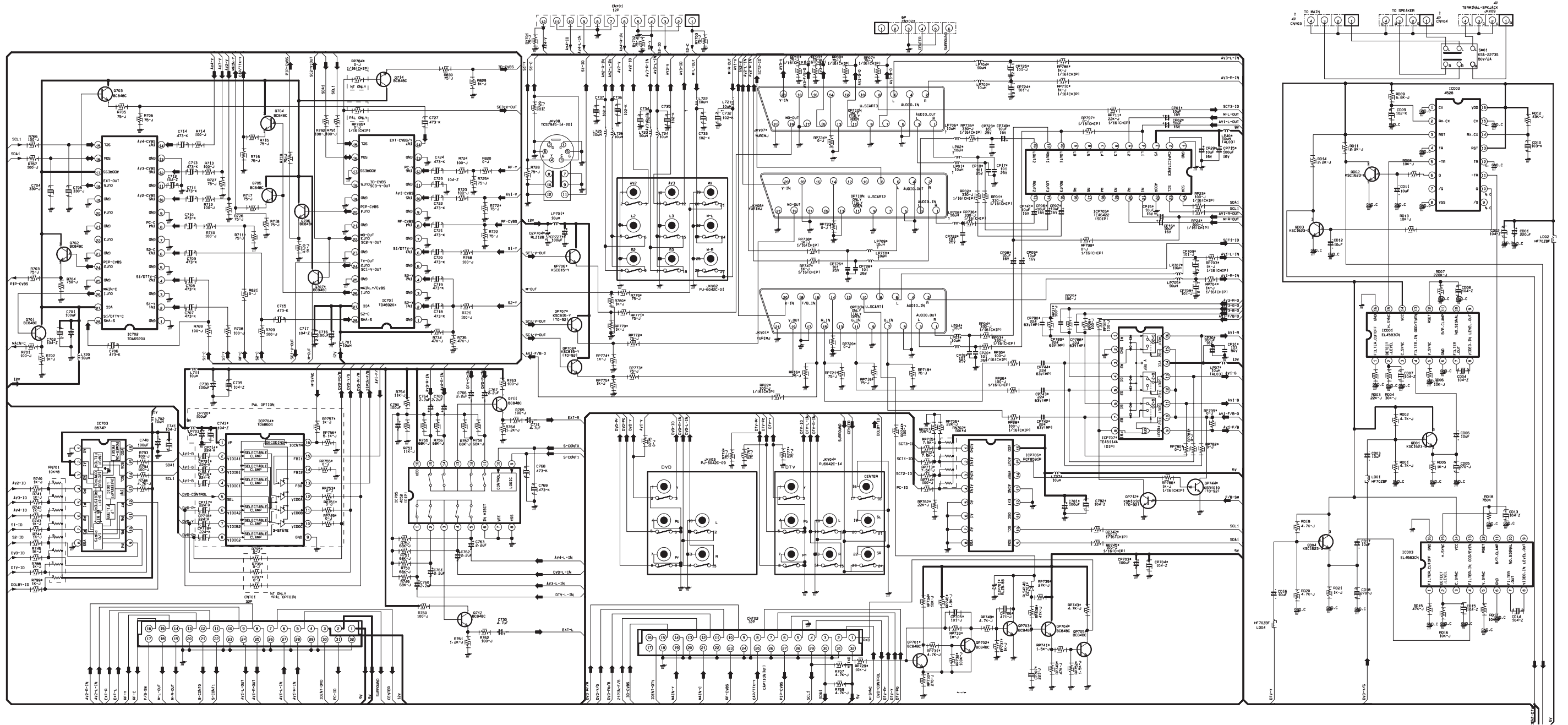
10-12 SUB 3



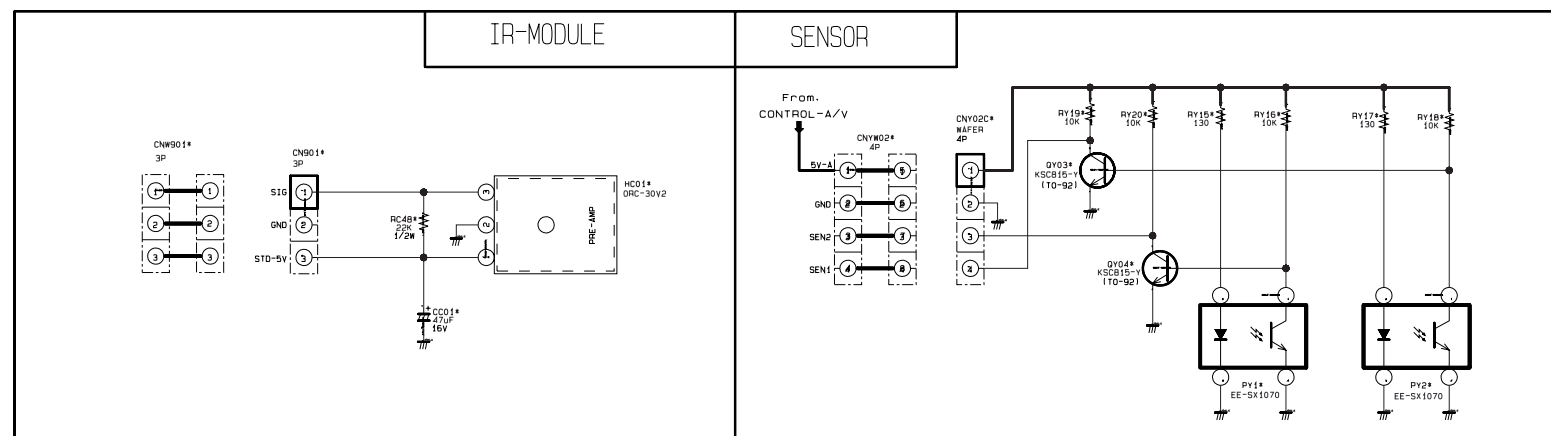
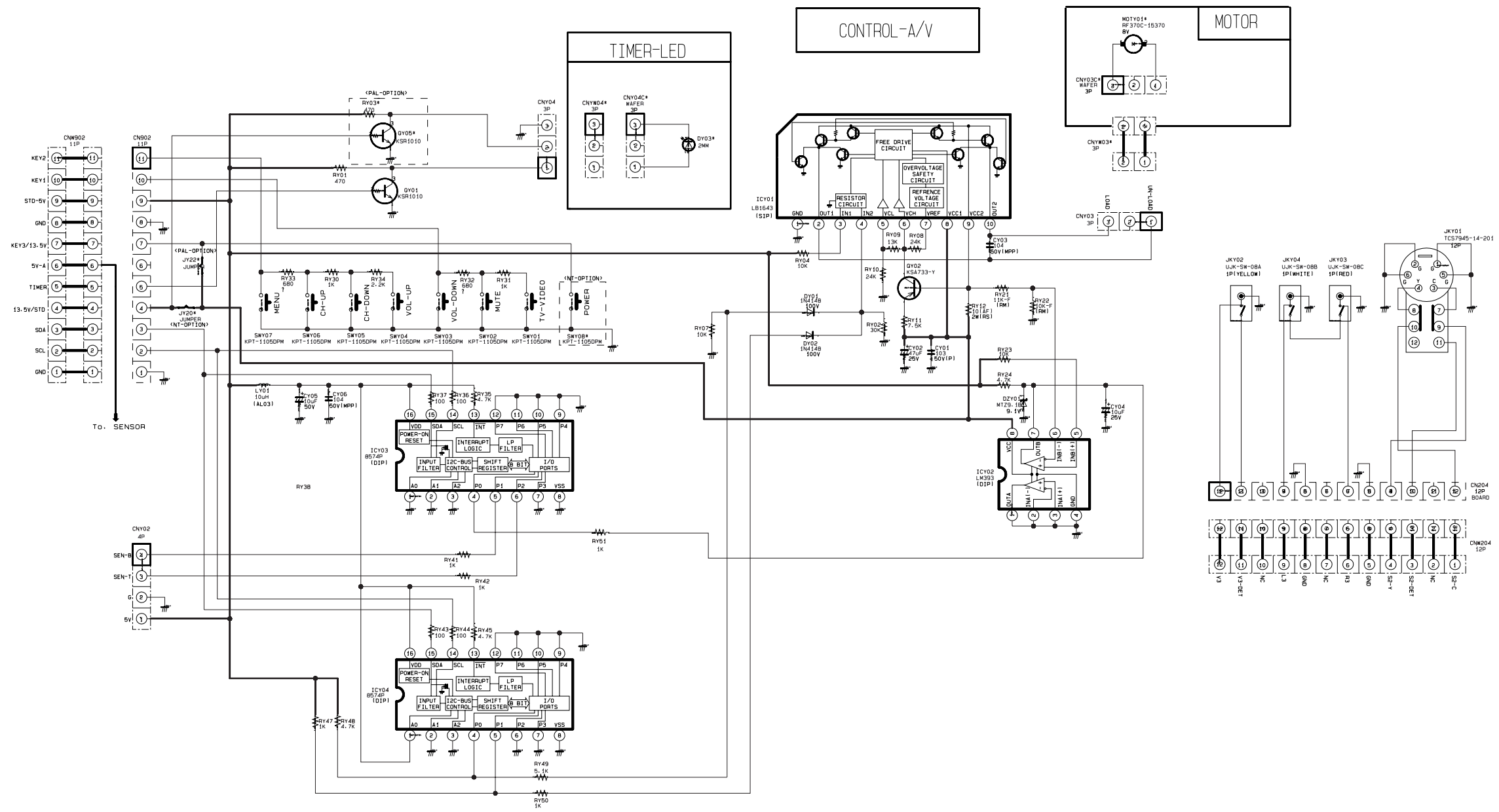
	PROG	INT
DZ122	MTZ6-2B	-
DZ123	MTZ6-2B	-
ICZ103	STK392-040	STK392-010
ICZ104	STK392-040	STK392-010
J116	-	JUMPER
J117	-	JUMPER
J122	-	JUMPER
J124	-	JUMPER
LZ103	1uH/AL02	-
LZ104	1uH/AL02	-
R501	11K-F-1/2W	15K-F-1/2W
RZ101	1K-1/BW	-

	PROG	INT		PROG	INT
RZ102	1K-1/BW	-	RZ132A	150-2W	-
RZ103	1K-1/BW	-	RZ148A	150-2W	-
RZ119	-	330-1/BW	RZ149A	150-2W	-
RZ122	330-1/BW	-			
RZ129A	150-2W	-			
RZ130A	150-2W	-			
RZ131A	150-2W	-			

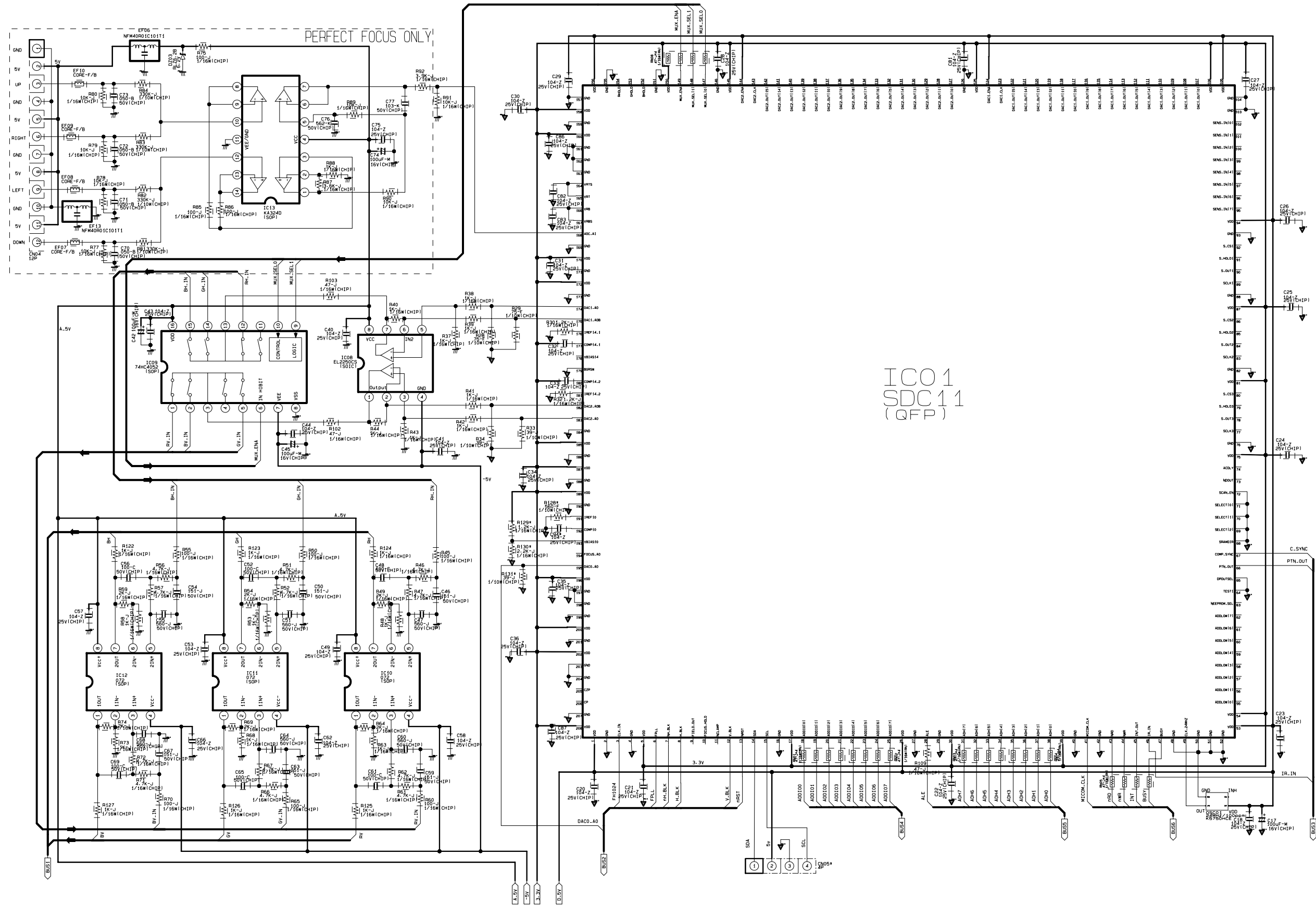
10-13 A/V TERMINAL



10-14 AV CONTROL

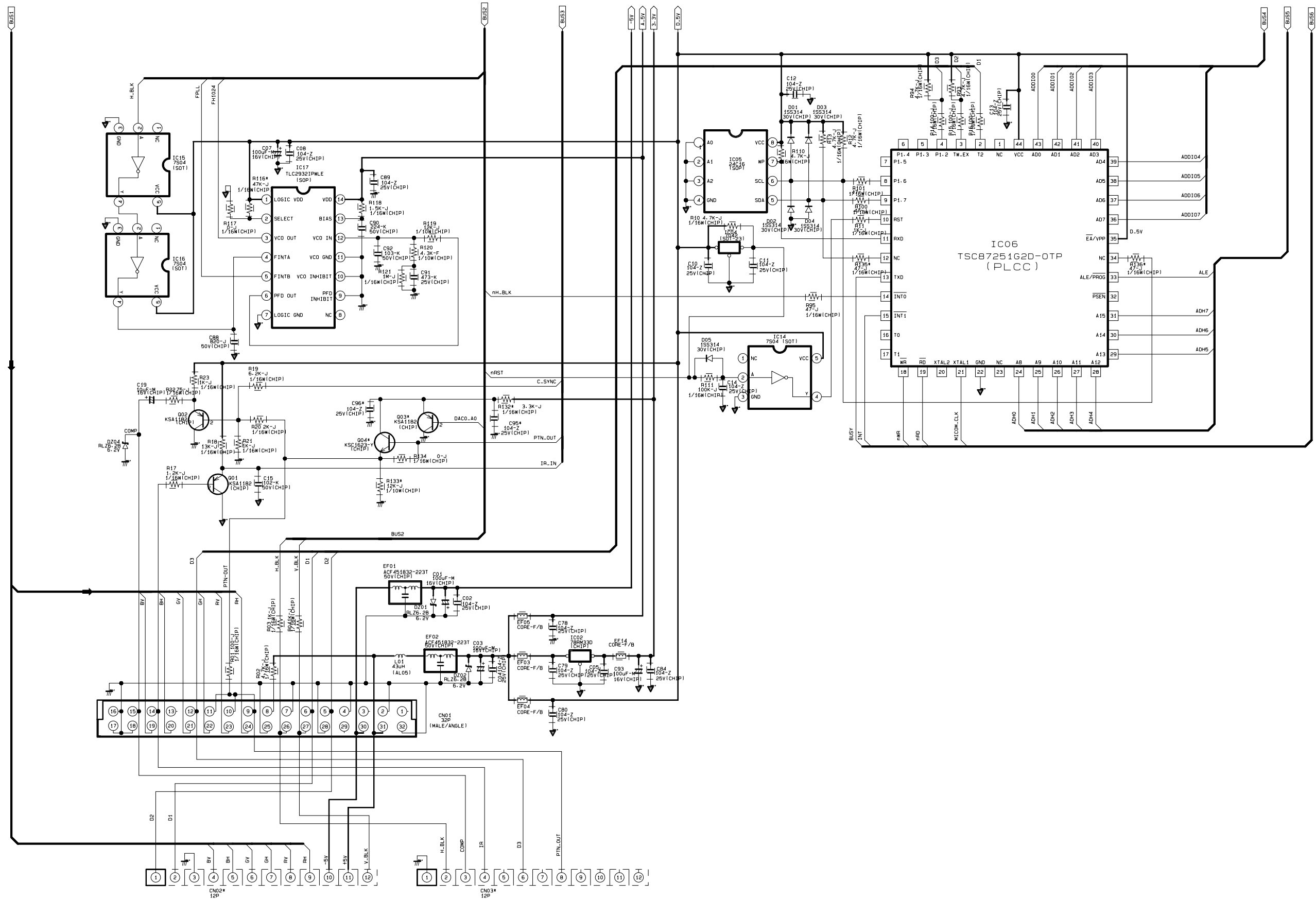


10-15 CONVERGENCE (SDC11 - 1)

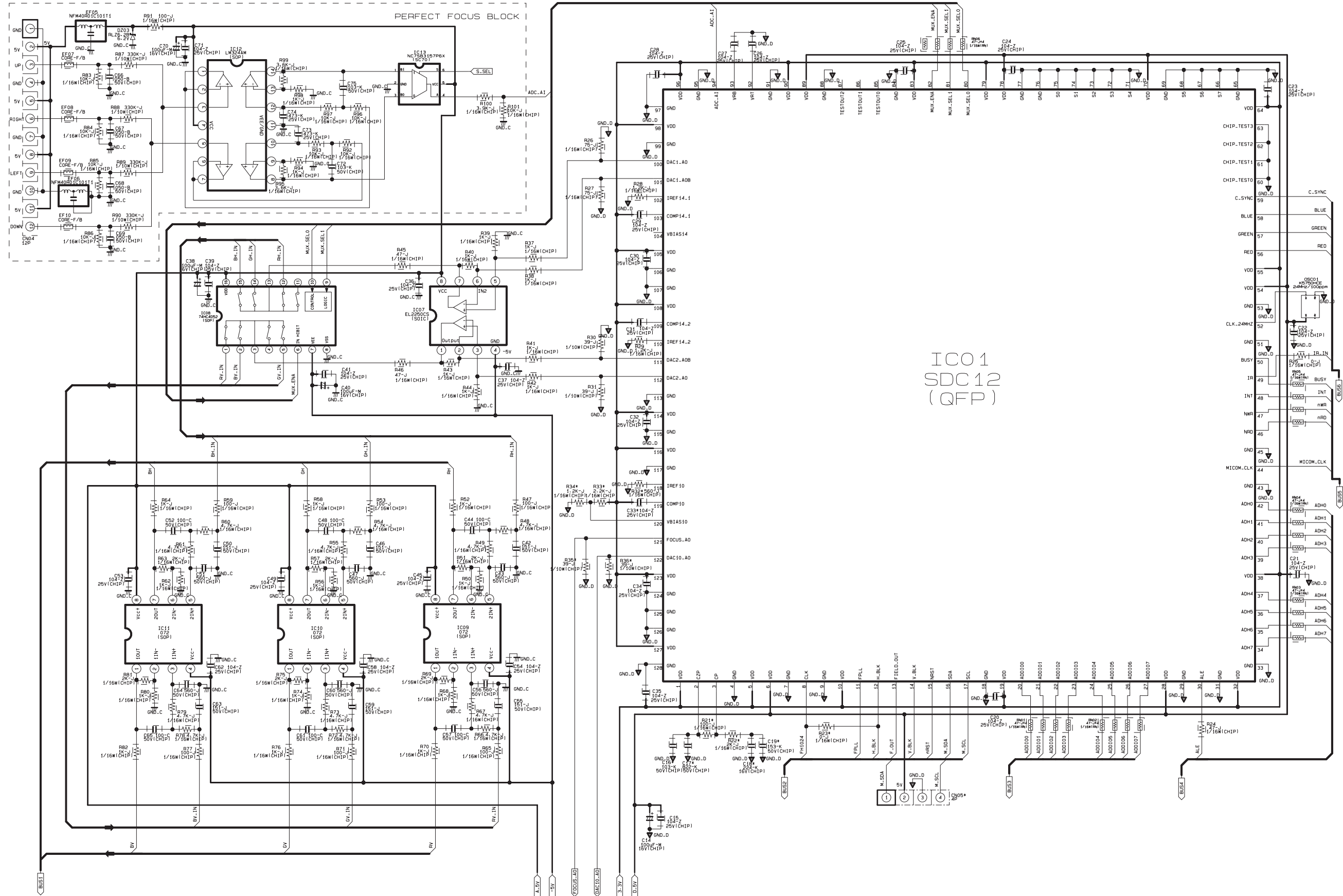


IC01
SDC11
(QFP)

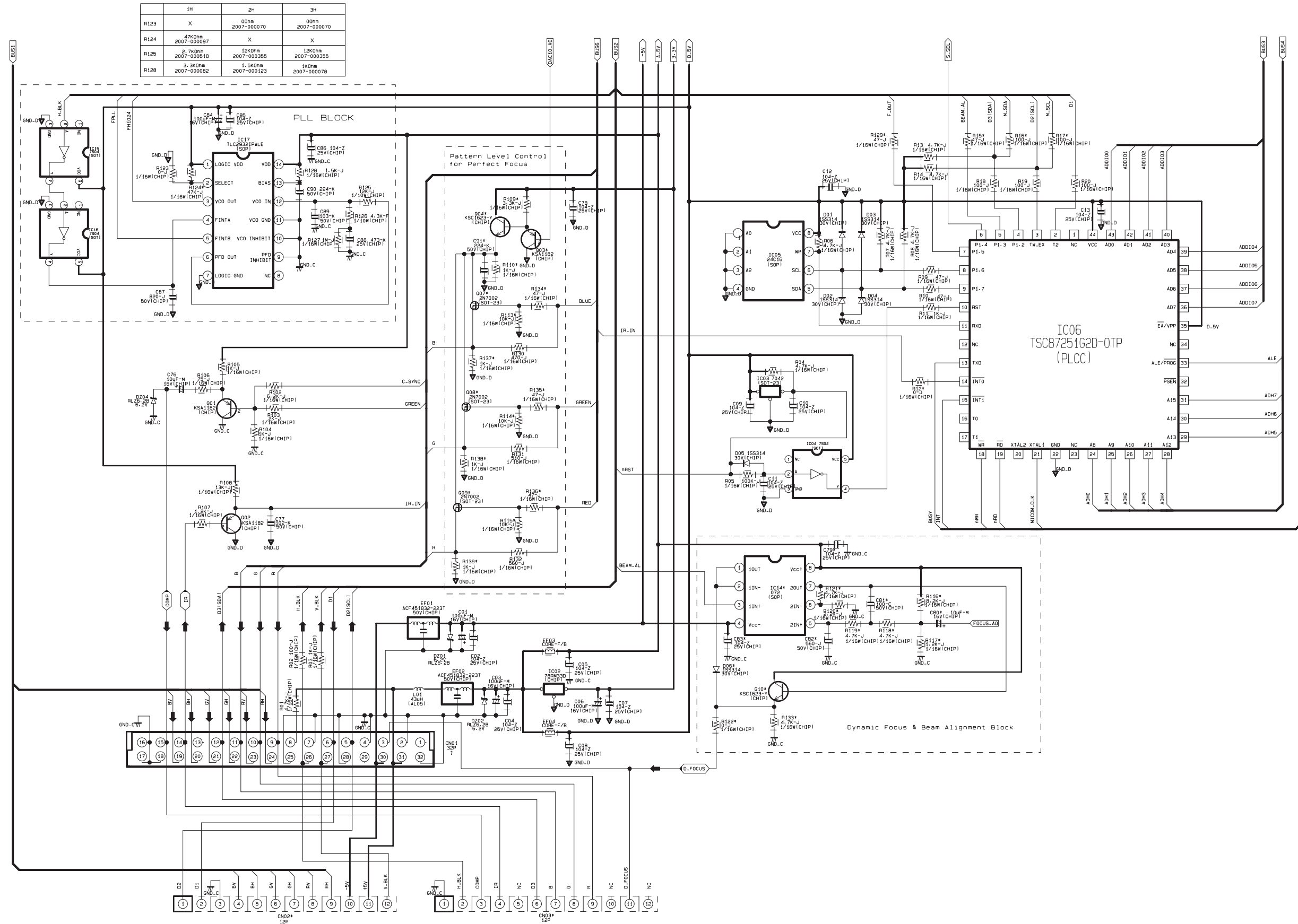
10-16 CONVERGENCE (SDC11 - 2)



10-17 CONVERGENCE (SDC112- 2)

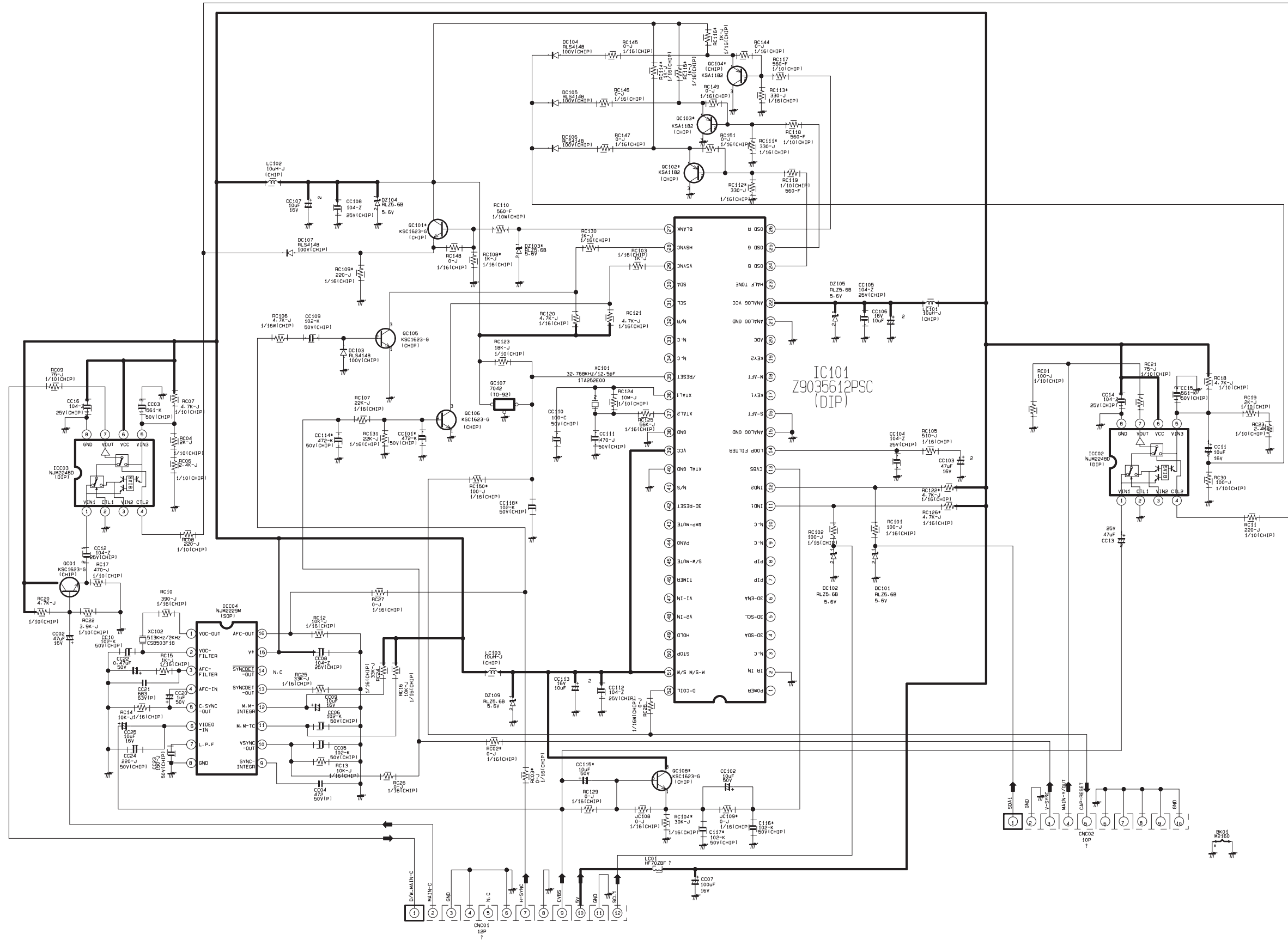


10-18 CONVERGENCE (SDC12 - 2)

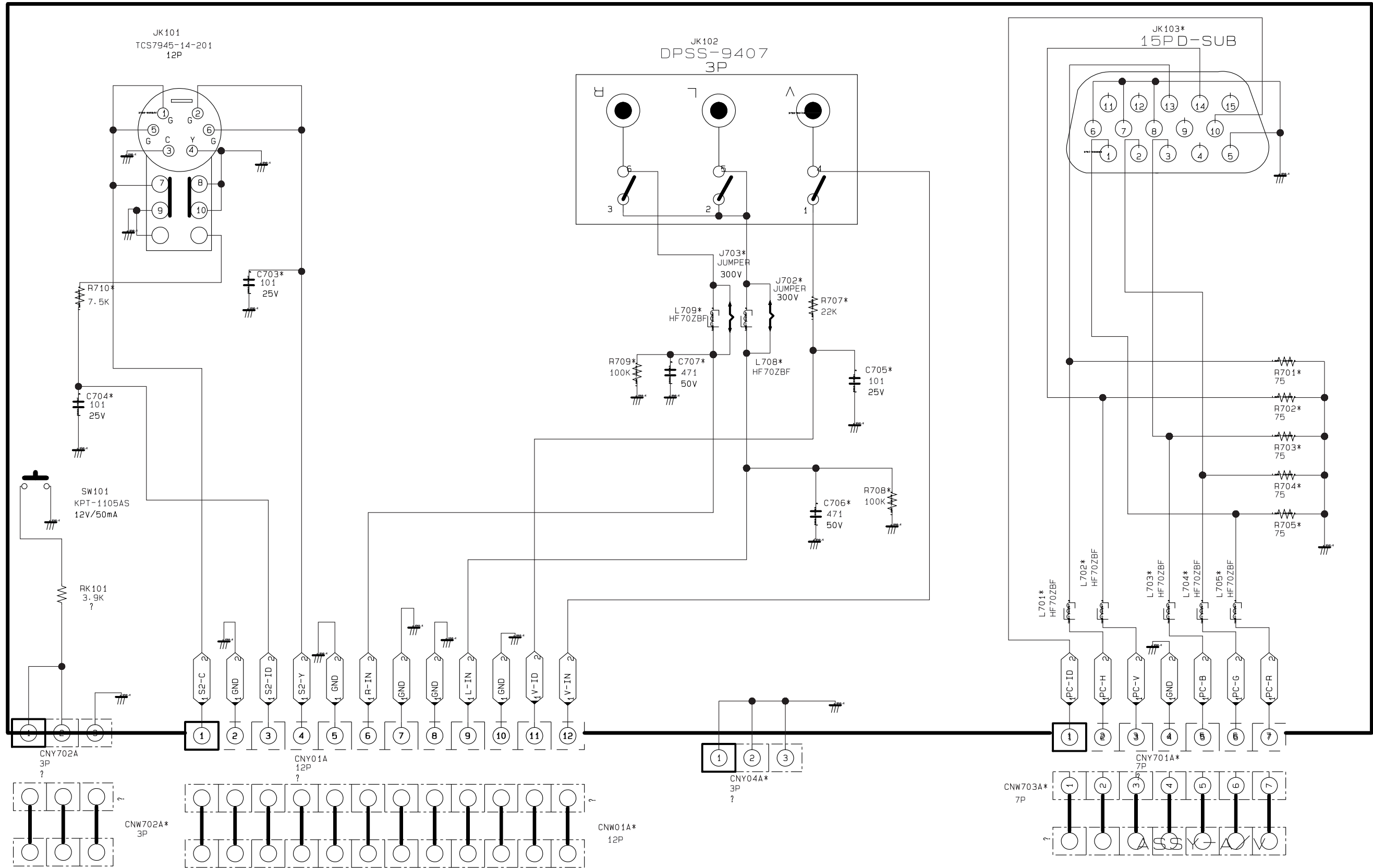


	1H	2H	3H
R123	X	00hm 2007-000070	00hm 2007-000070
R124	47k0hm 2007-000097	X	X
R125	2.7k0hm 2007-000518	12k0hm 2007-000395	12k0hm 2007-000395
R128	3.3k0hm 2007-000082	1.5k0hm 2007-000123	1k0hm 2007-000078

10-19 CAPTION

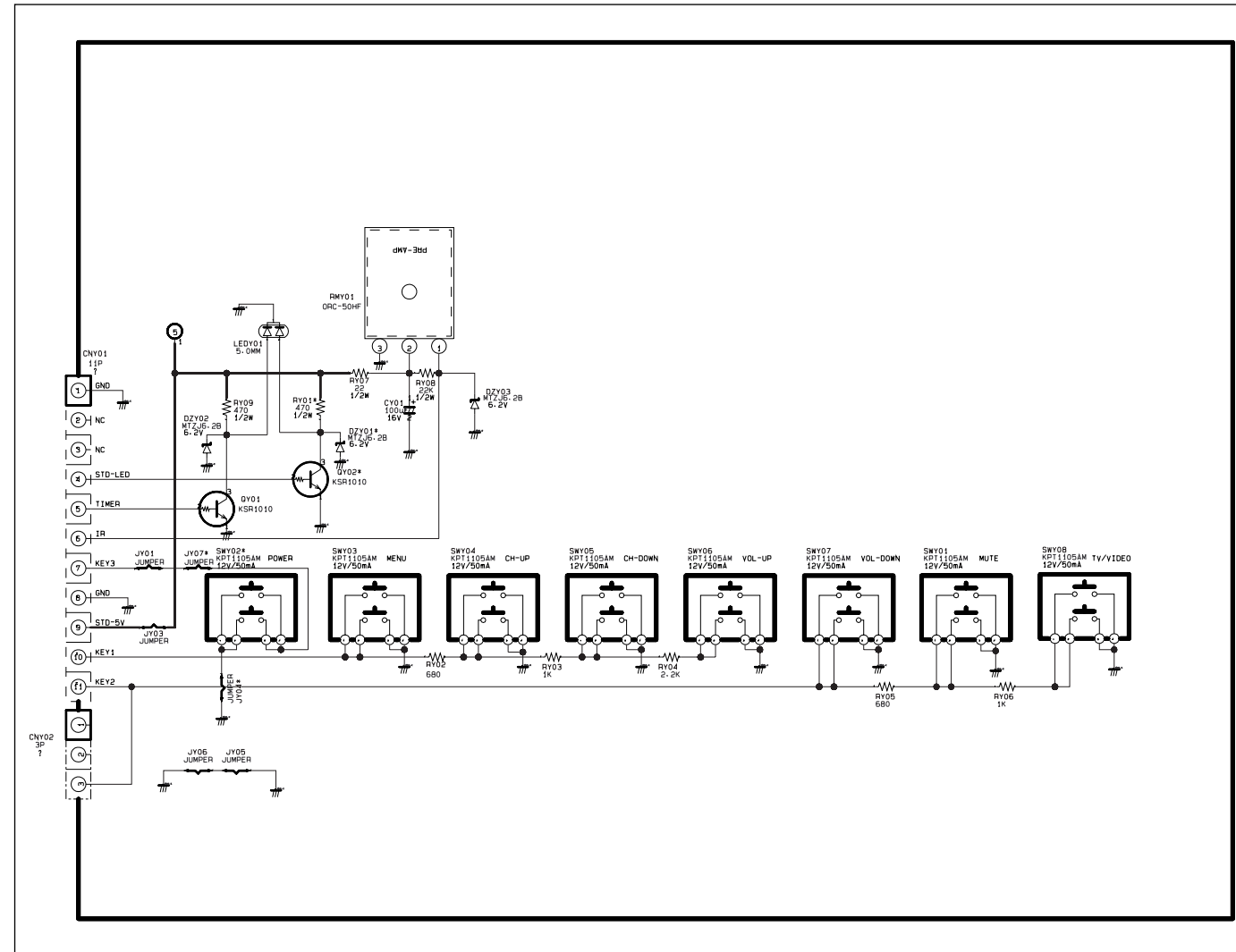


10-20 AV FRONT

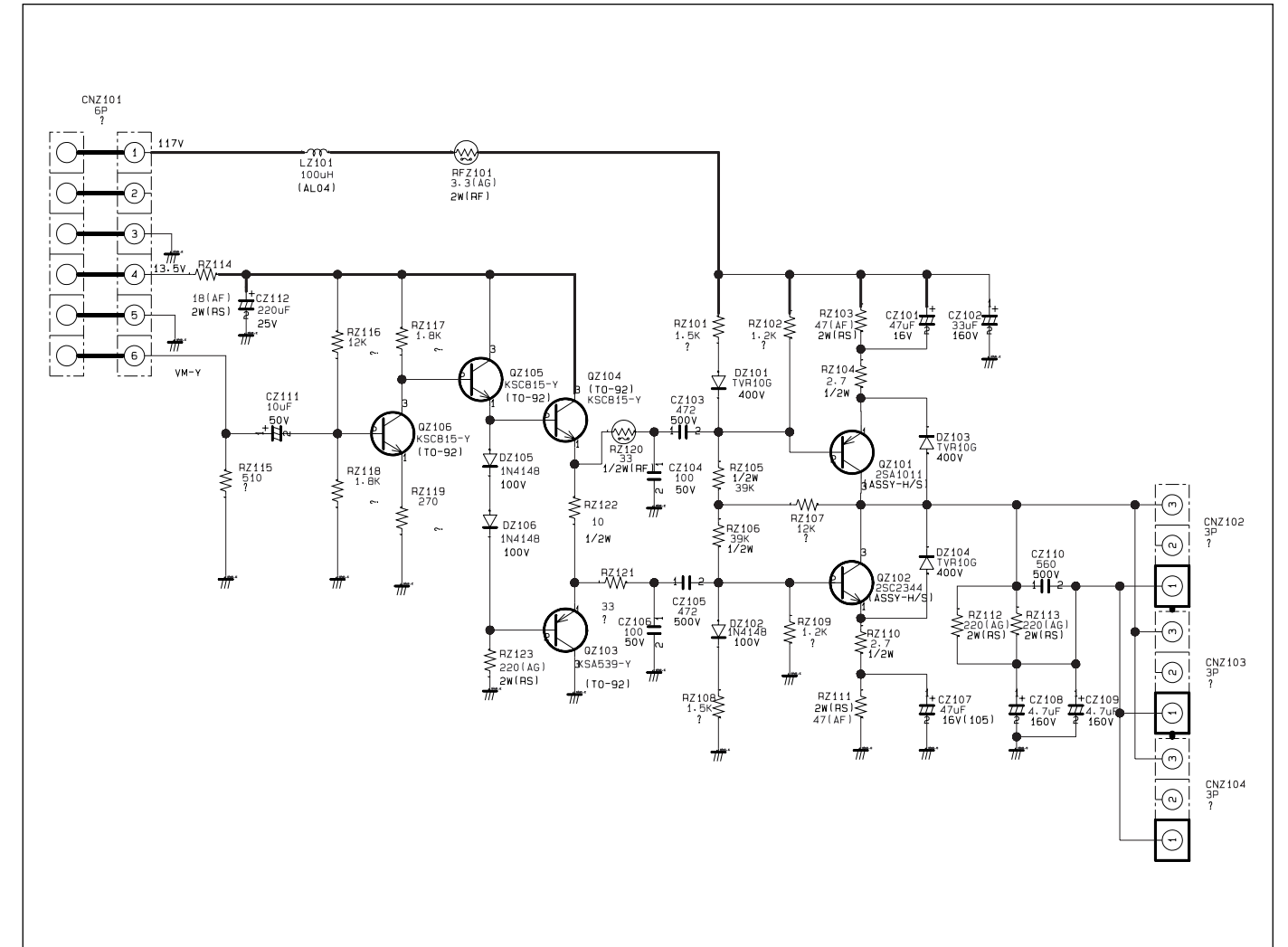


10-21 CONTROL, VM

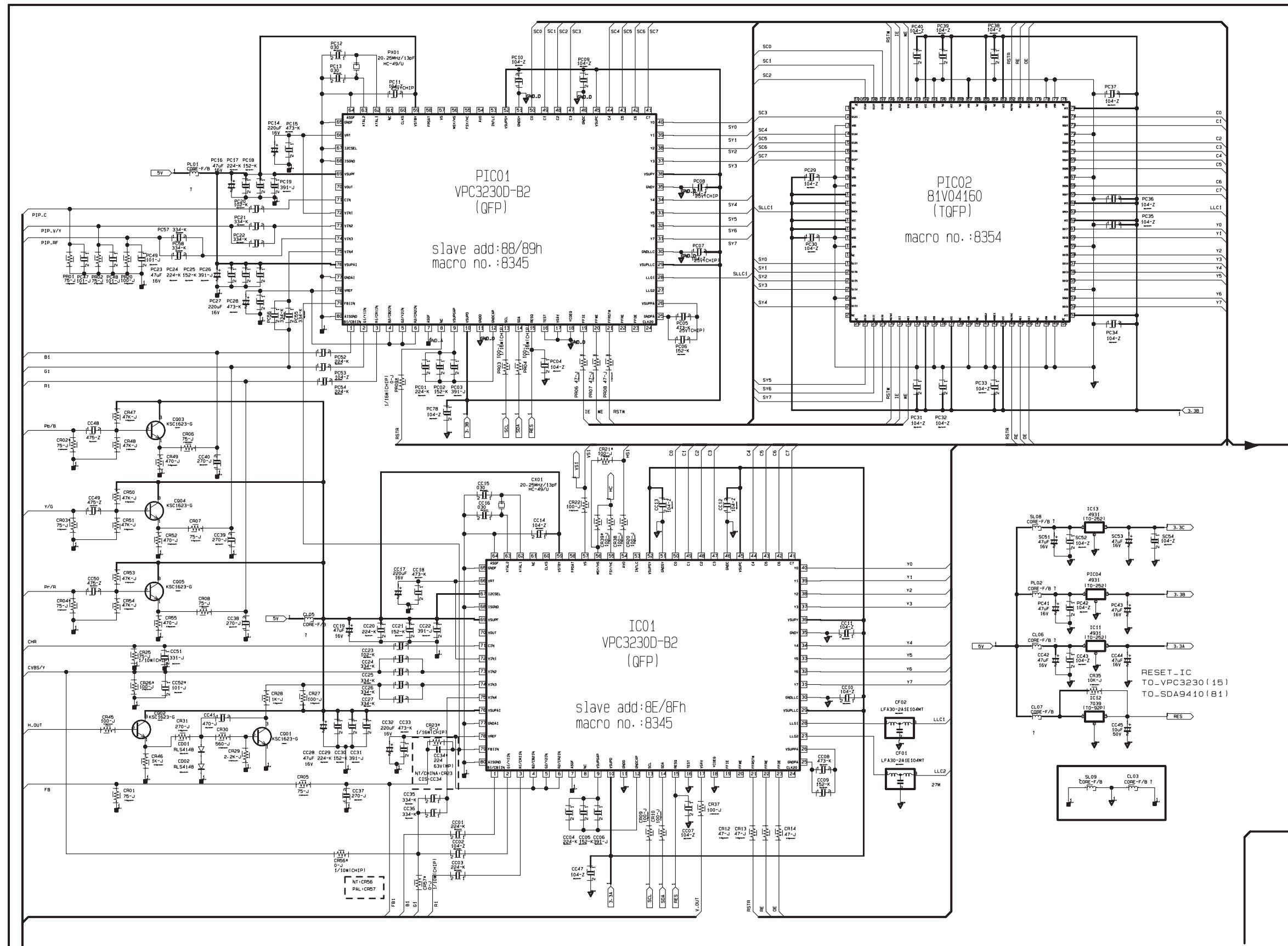
CONTROL



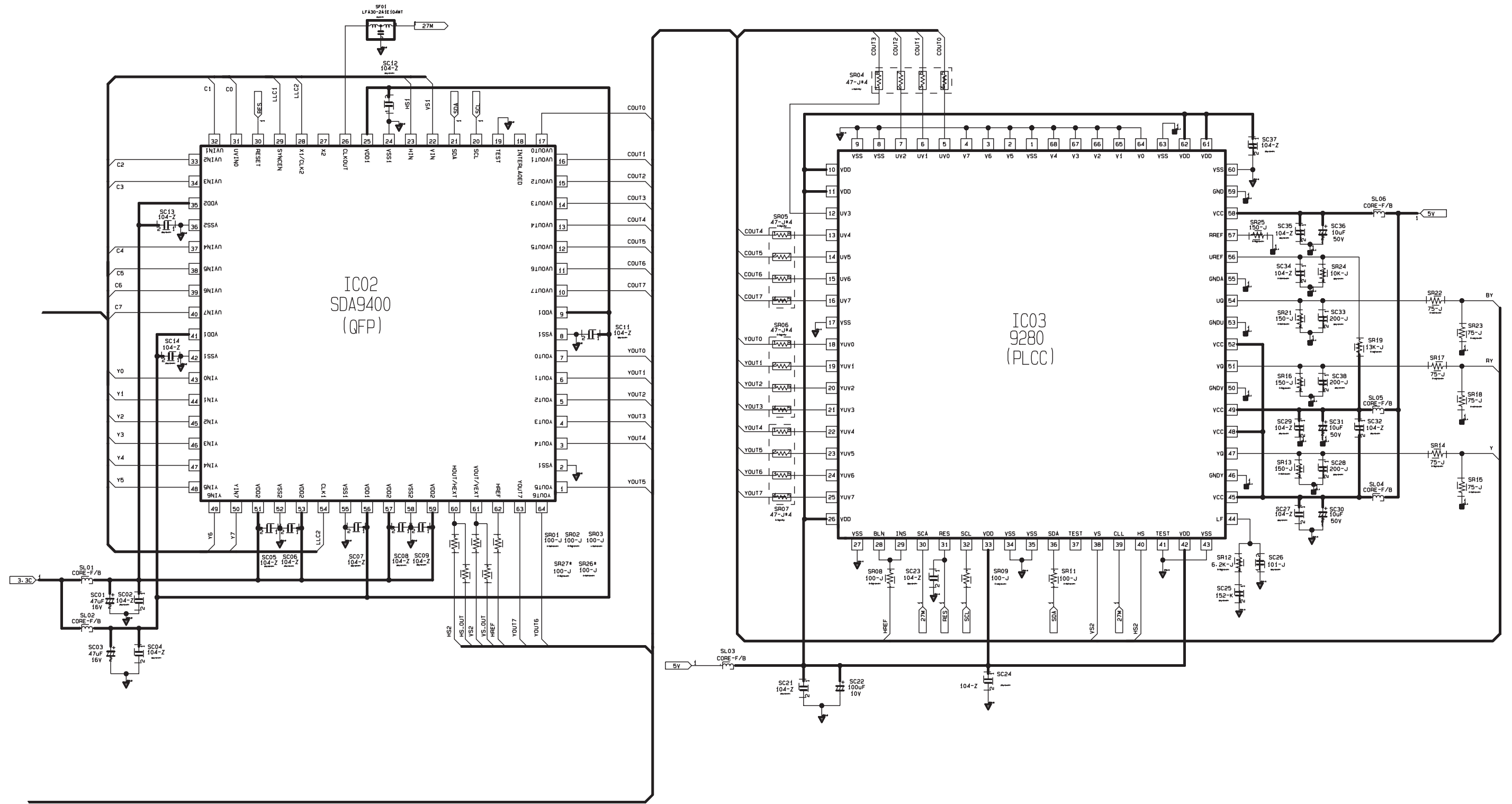
VM



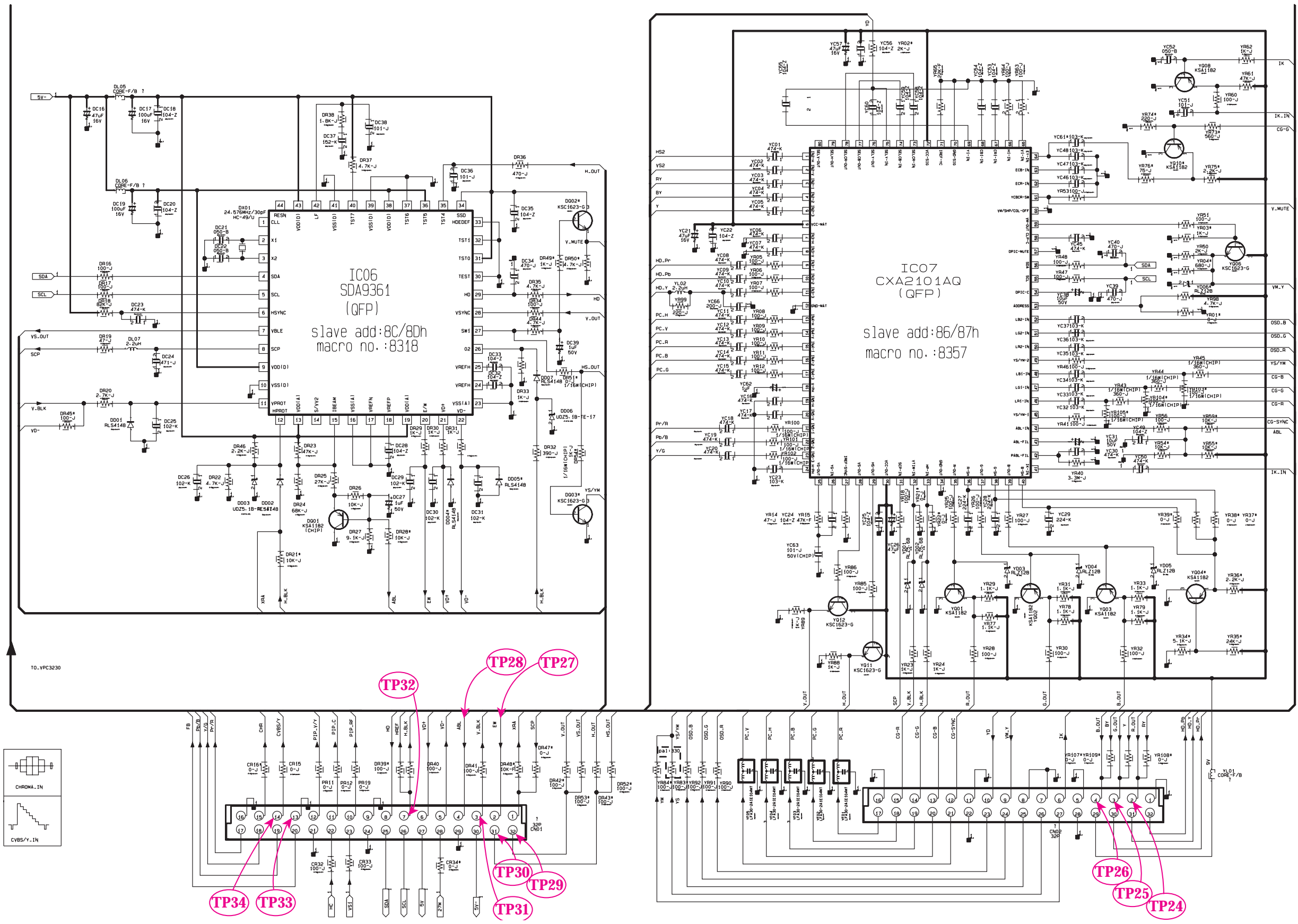
10-22 DW 1



10-23 DW 2



10-24 DW 3



10-24-1 DW 3 WAVEFORMS

